



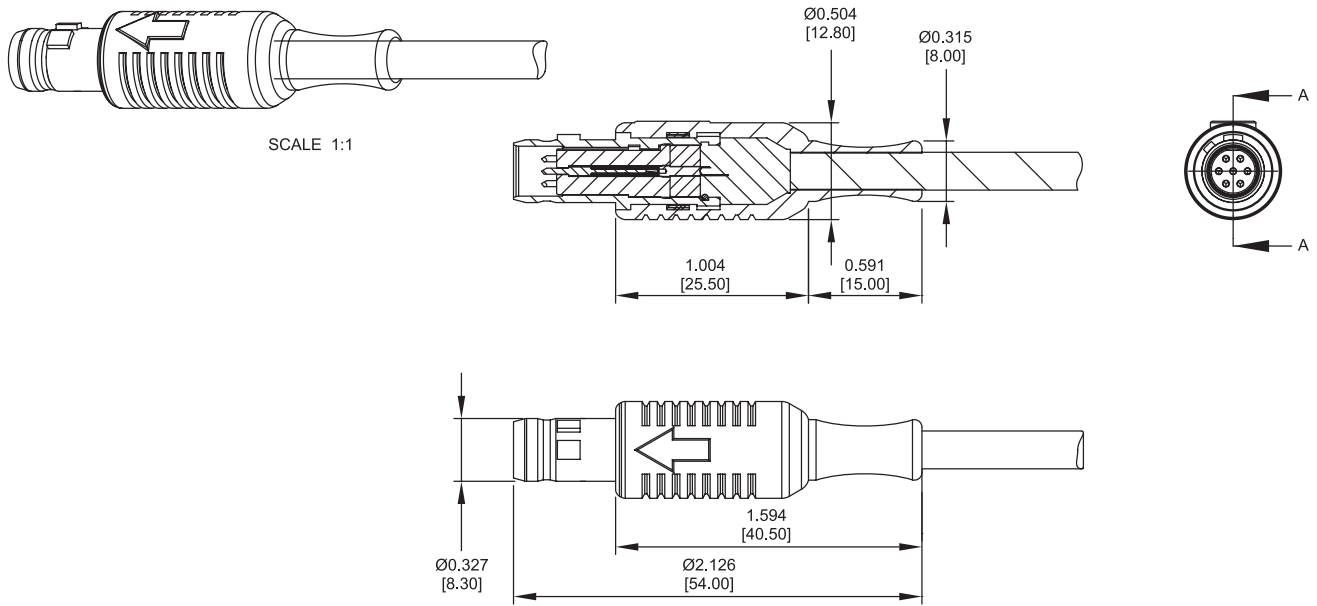
Miniature Circular Connectors

- HyperSpring® spring loaded contacts, self-cleaning wiping action
- 7, 13, or 19 contact configurations
- Combine robust environmental performance with compact size and light weight
- Easy and fast snap on locking mechanism
- Full line EMI shielding
- IP67 sealing when mated and unmated
- Different hardware coding to avoid mismatching
- Overmolding solutions
- Upgrade commercial high speed Fast Ethernet, USB, IEEE 1394 interconnect to Mil Spec performances
- Protection cup available on request

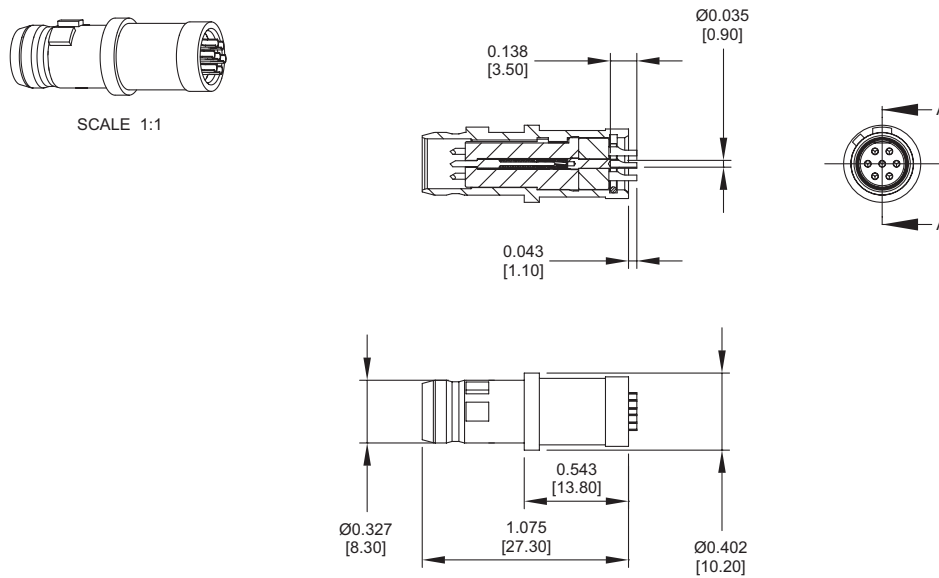
General Specifications	
General	
Number of Contacts	7, 13, 19
Receptacle Terminations	Solder Cup, Dip Solder
Plug Termination	Solder Cup
Cable Diameter Range	7 Contacts: 0.236 [6.00] max., 13 Contacts: 0.295 [7.50] max., 19 Contacts: 0.335 [8.50] max.
AWG Contact	24 - 28
HyperSpring Force	5.5 oz. max. per contact
Connector Unmating Force	140.0 oz. max.
Electrical and Mechanical Characteristics	
EMI Shielding	Yes
Current Rating	3 Amps at 25° C
Breakdown Voltage	625V
Dielectric Withstanding Voltage (between contacts)	500V
Contact Resistance (low level)	< 15 milliohms
Insulation Resistance	5000 Megohms at 500VDC - EIA364.21
Vibration	EIA364.28 Condition III
Shock	EIA364.27 Condition G
Weight (Plug and Receptacle – with contacts – without cabling)	7 Contacts: 0.3 oz., 13 Contacts: 0.5 oz., 19 Contacts: 0.56 oz.
Materials and Plating	
Housing – Material – Plating	Aluminum alloy Zinc cobalt conductive – RoHS compliant
Overmolding (Plug)	Thermoplastic hotmelt
Contact – Material – Plating	Brass, beryllium copper Gold
Environmental Characteristics	
Temperature Range	-65° C to 80° C
Salt Spray	EIA364.26 Condition A (mated connectors)
Humidity	EIA364.31 Method IV
IP Level	67 mated and unmated

Dimensions are in inches [mm]

7 Contact Plug With Overmolding and Cabling

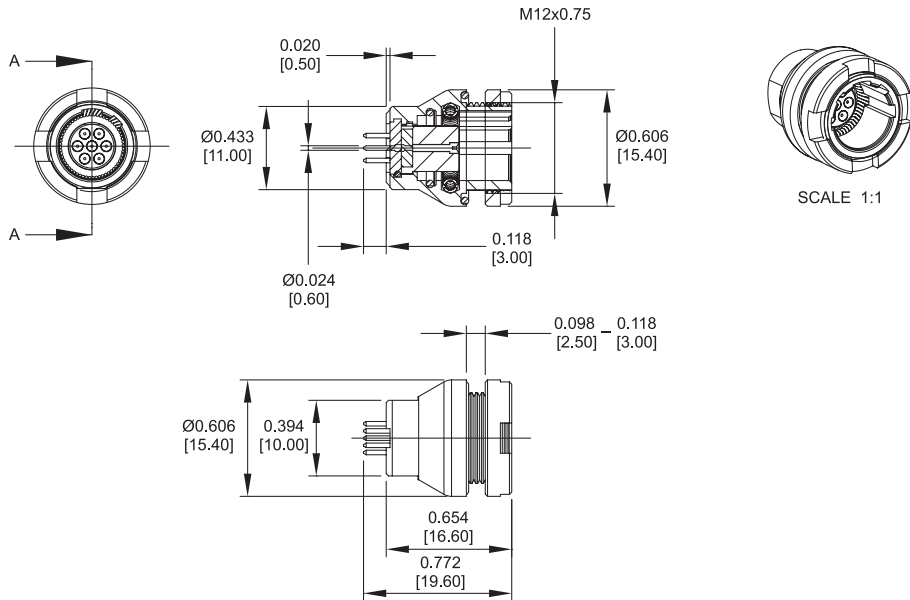


7 Contact Plug - Solder Cup Termination

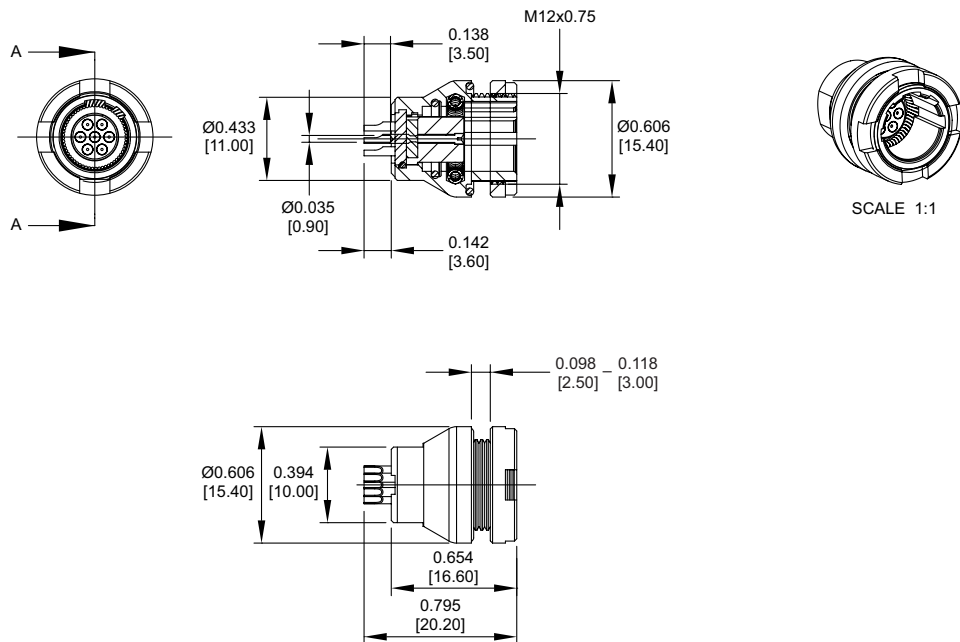


Dimensions are in inches [mm]

13 Contact Receptacle - Dip Solder Termination

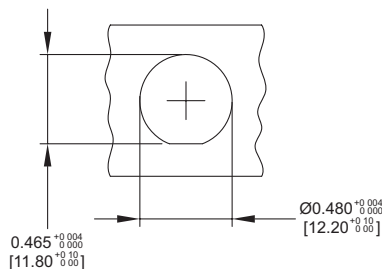


13 Contact Receptacle - Solder Cup Termination



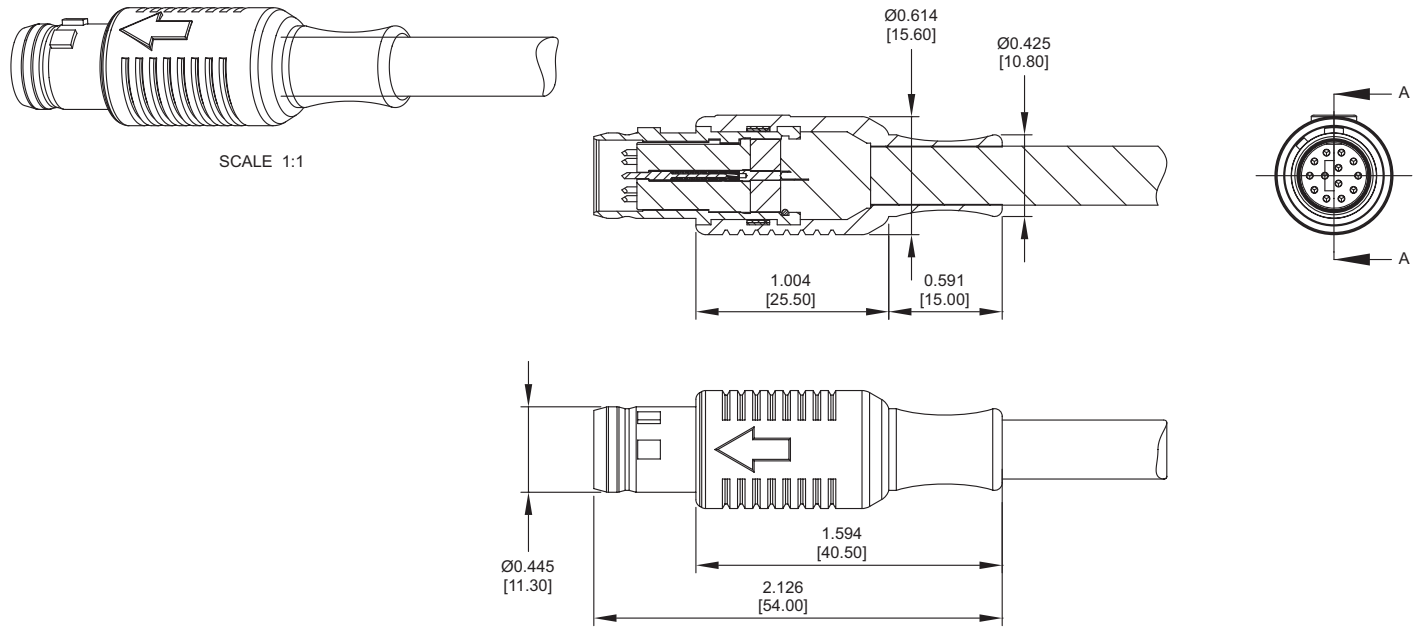
Panel Cutout

Panel thickness 0.118 [3.00] max.

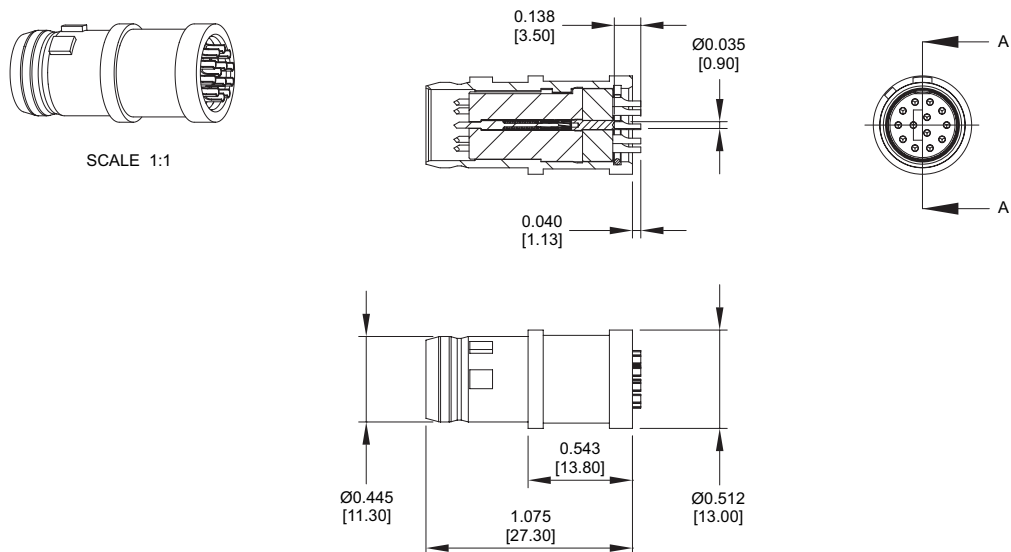


Dimensions are in inches [mm]

13 Contact Plug With Overmolding and Cabling

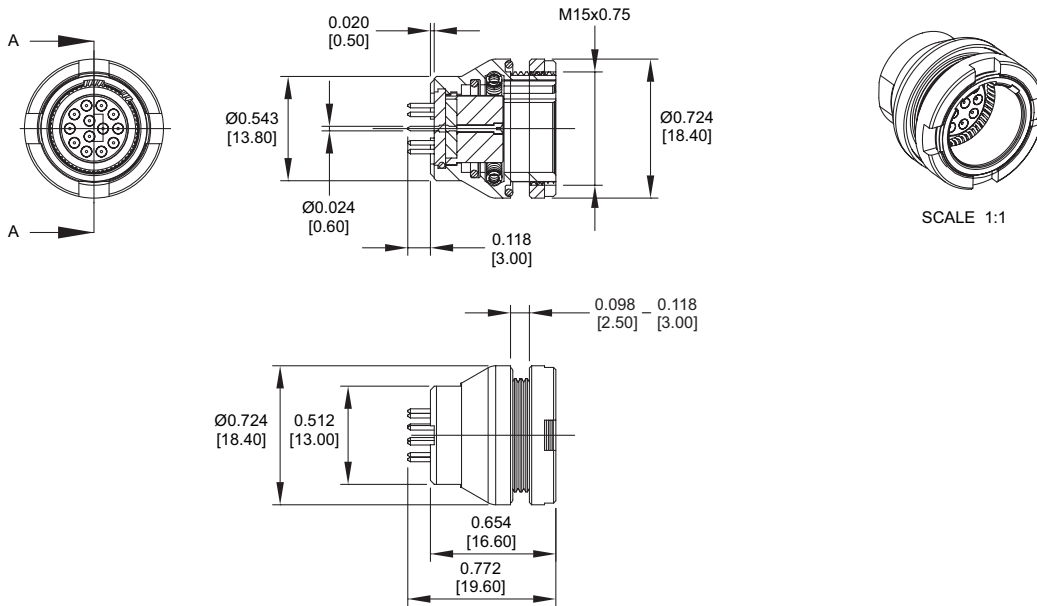


13 Contact Plug - Solder Cup Termination

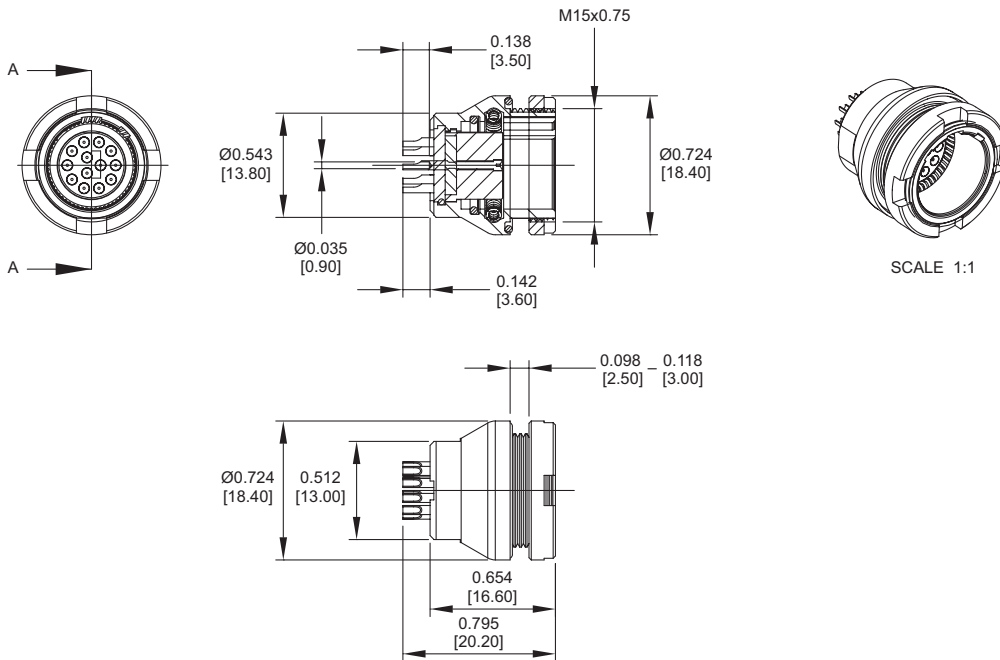


Dimensions are in inches [mm]

13 Contact Receptacle - Dip Solder Termination

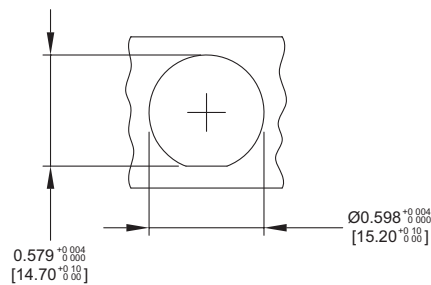


13 Contact Receptacle - Solder Cup Termination



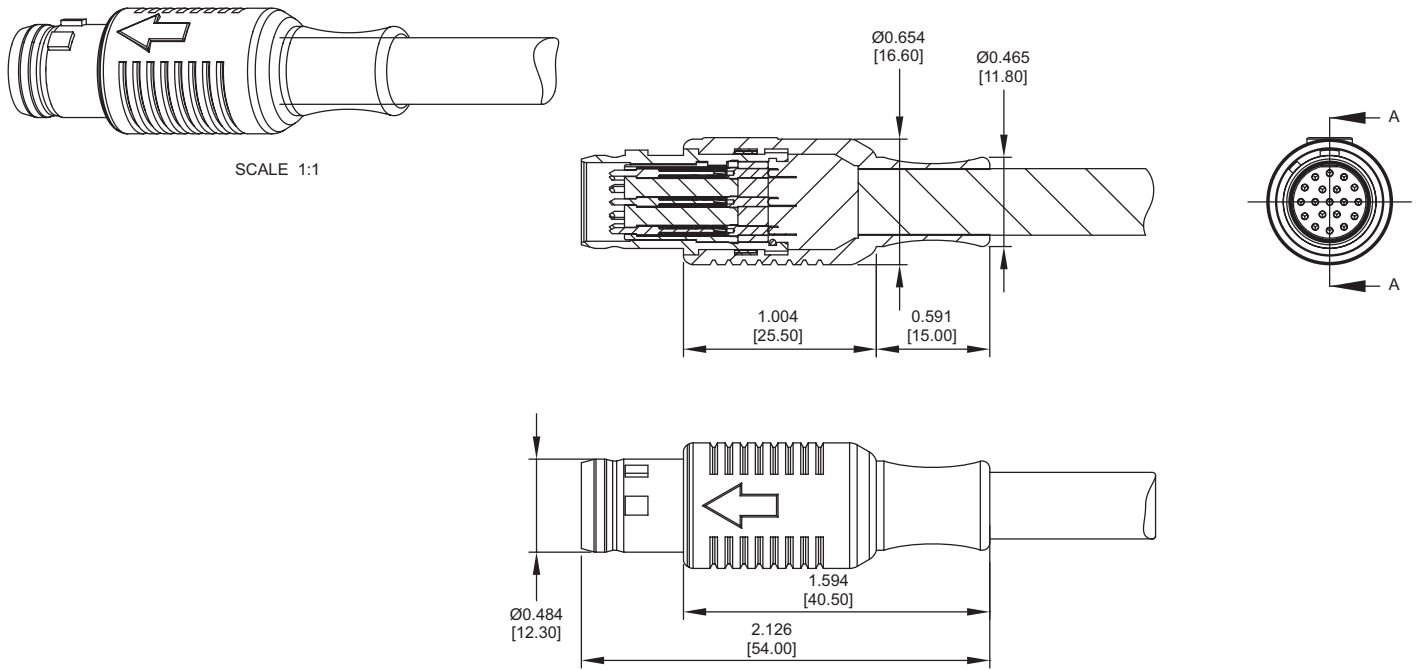
Panel Cutout

Panel thickness 0.118 [3.00] max.

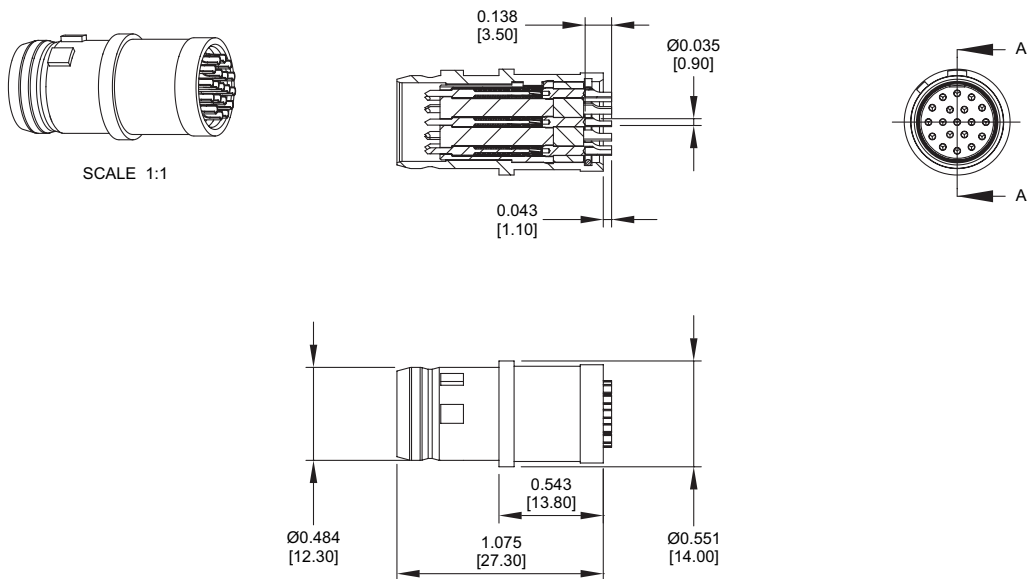


Dimensions are in inches [mm]

19 Contact Plug With Overmolding and Cabling

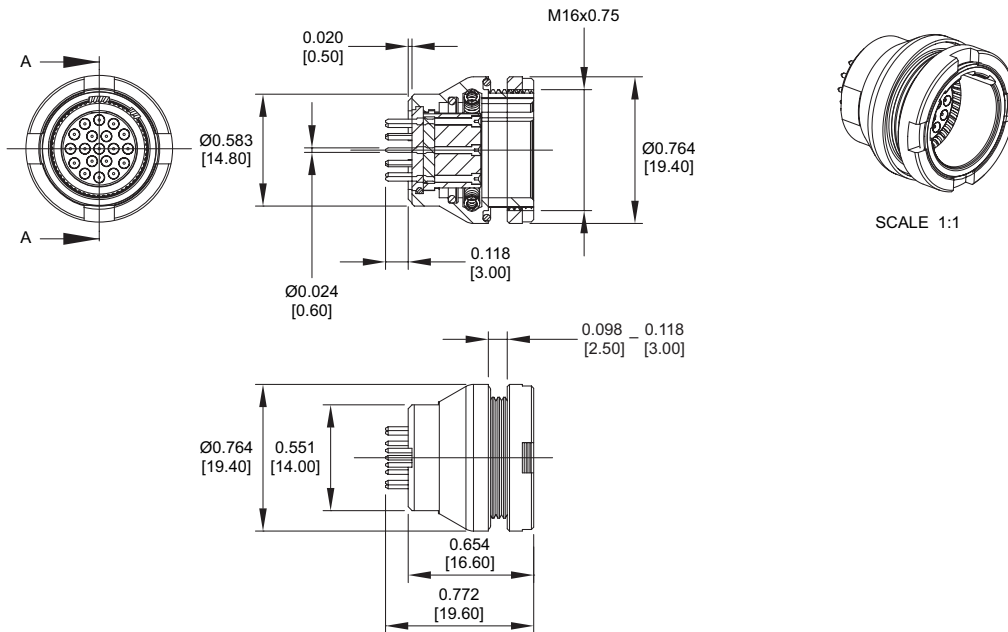


19 Contact Plug - Solder Cup Termination

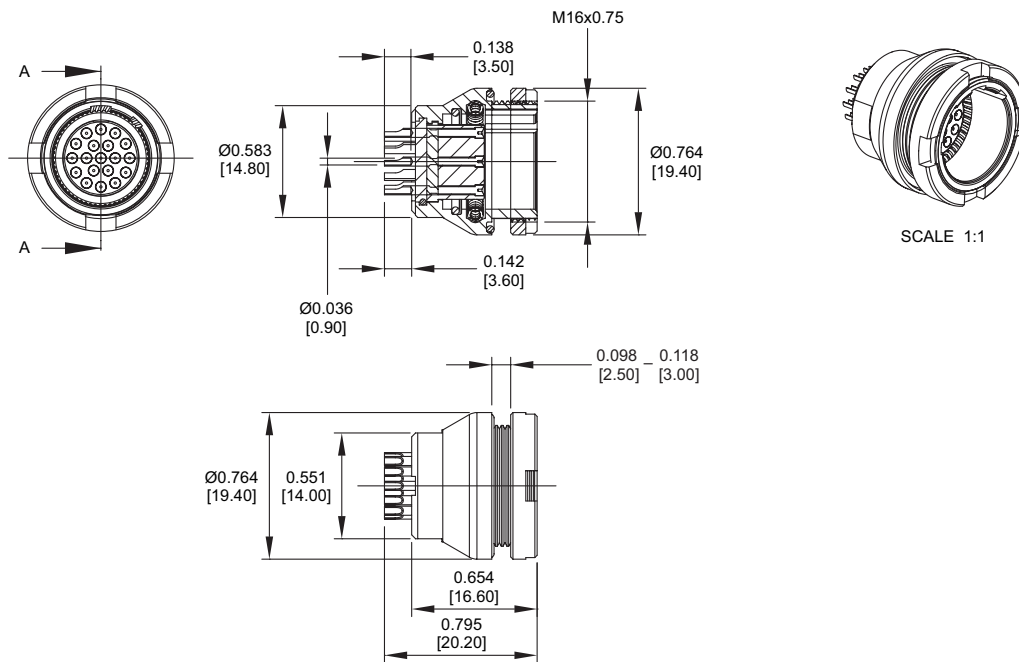


Dimensions are in inches [mm]

19 Contact Receptacle - Dip Solder Termination

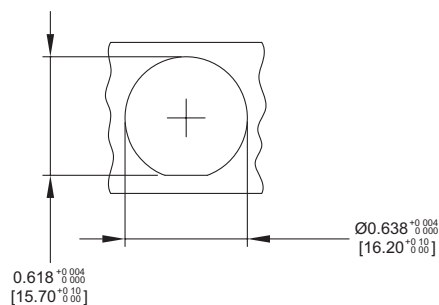


19 Contact Receptacle - Solder Cup Termination



Panel Cutout

Panel thickness 0.118 [3.00] max.



Dimensions are in inches [mm]

Ordering Information

