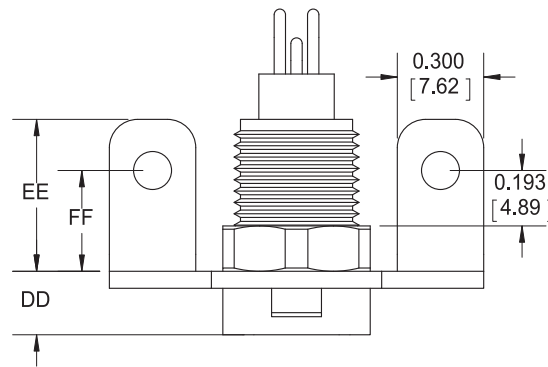


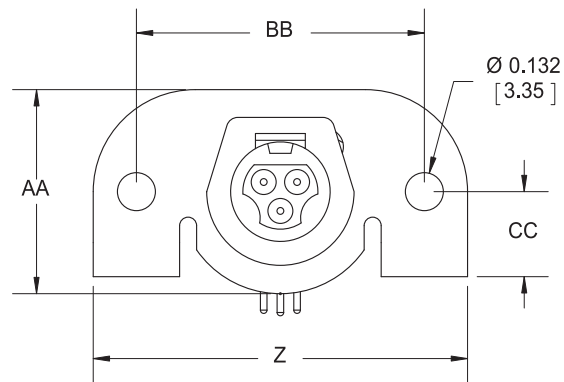
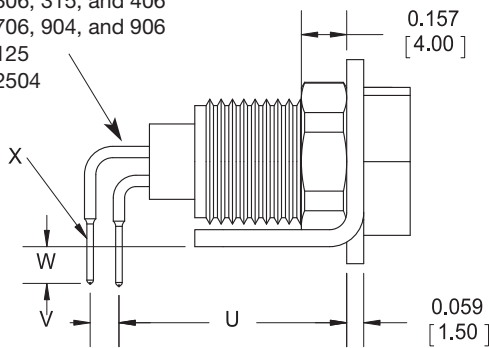


## D SERIES MOUNTING OPTIONS SUPPLEMENT TO HYPERTRONICS 2010 FULL LINE CATALOG

## Printed Circuit Board Receptacles (Right Angle)



2 Rows: 306, 315, and 406  
 3 Rows: 706, 904, and 906  
 4 Rows: 125  
 6 Rows: 2504



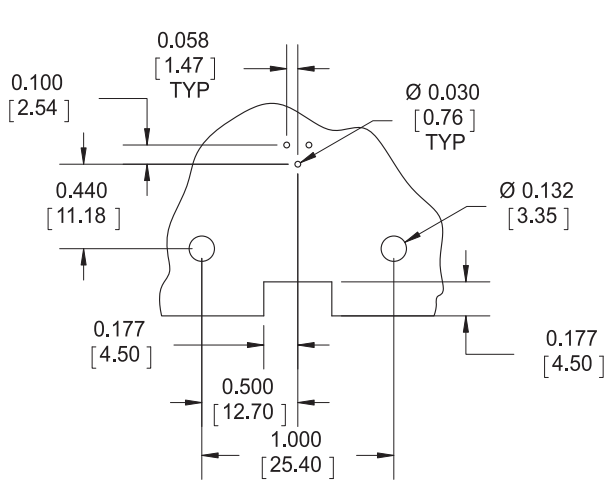
Dimension	D01 Housing 3 and 4 Position	D01 Housing 9 Position	D02 Housing 3 Position	D02 Housing 7 and 9 Position	D02 Housing 12 Position	D02 Housing 25 Position
U	0.790 [20.07]	0.700 [17.79]	0.834 [21.19]	0.742 [18.85]	0.689 [17.50]	0.655 [16.65]
V	0.100 [2.54]	0.075 [1.90]	0.150 [3.81]	0.100 [2.54]	0.100 [2.54]	0.075 [1.90]
W	0.187 [4.74]	0.181 [4.60]	0.184 [4.68]	0.177 [4.50]	0.173 [4.39]	0.181 [4.60]
X Dia.	0.024 [0.60]	0.015 [0.38]	0.059 [1.50]	0.024 [0.60]	0.017 [0.435]	0.015 [0.38]
Z	1.300 [33.02]	1.300 [33.02]	1.500 [38.10]	1.500 [38.10]	1.500 [38.10]	1.500 [38.10]
AA	0.709 [18.00]	0.709 [18.00]	0.866 [22.00]	0.866 [22.00]	0.866 [22.00]	0.866 [22.00]
BB	1.000 [25.40]	1.000 [25.40]	1.200 [30.48]	1.200 [30.48]	1.200 [30.48]	1.200 [30.48]
CC	0.236 [6.00]	0.236 [6.00]	0.315 [8.00]	0.315 [8.00]	0.315 [8.00]	0.315 [8.00]
DD	0.220 [5.60]	0.220 [5.60]	0.335 [8.50]	0.335 [8.50]	0.335 [8.50]	0.335 [8.50]
EE	0.528 [13.40]	0.528 [13.40]	0.610 [15.50]	0.610 [15.50]	0.610 [15.50]	0.610 [15.50]
FF	0.350 [8.89]	0.350 [8.89]	0.400 [10.16]	0.400 [10.16]	0.400 [10.16]	0.400 [10.16]

Dimensions are in inches [mm]

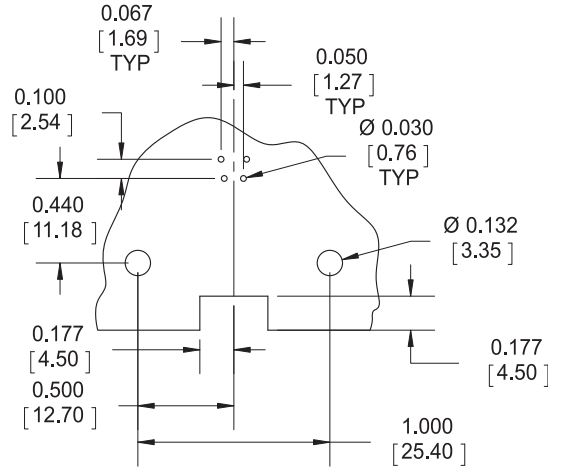
## Mounting Dimensions

### Right Angle Daughter Board Application

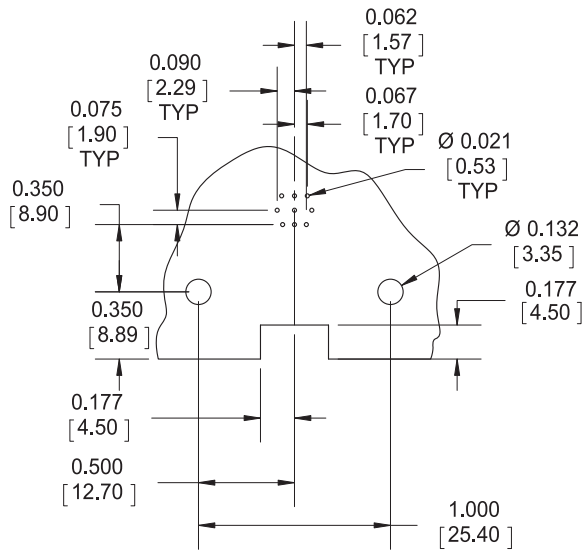
Printed Circuit Board Shown From Component Side



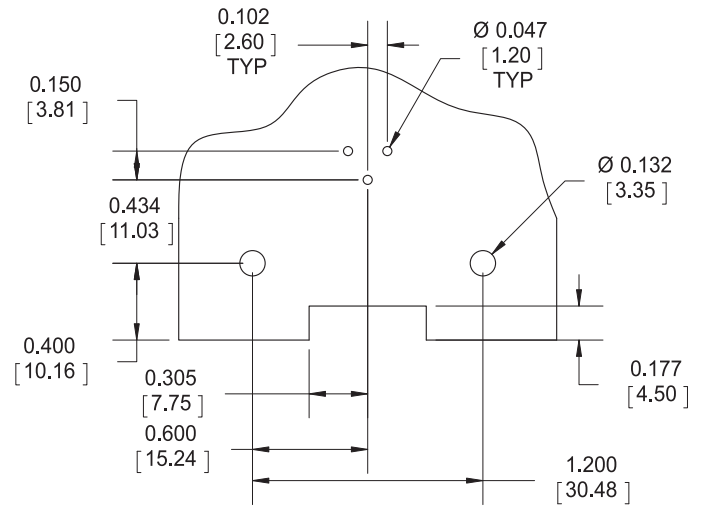
**Printed Circuit Board Layout for  
D01EEB306FB24UTABH**



**Printed Circuit Board Layout for  
D01EEB406FB24UTABH**



**Printed Circuit Board Layout for  
D01EEB904FB24UTABH**



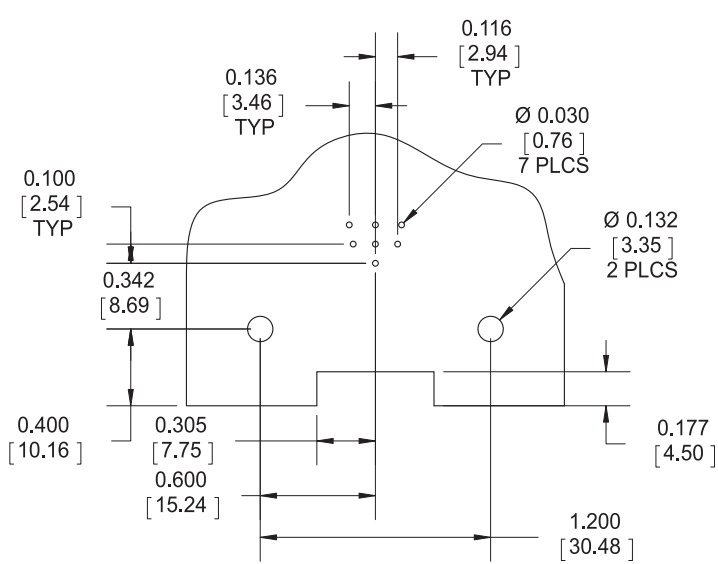
**Printed Circuit Board Layout for  
D02EEB315FB24UTABH**

Dimensions are in inches [mm]

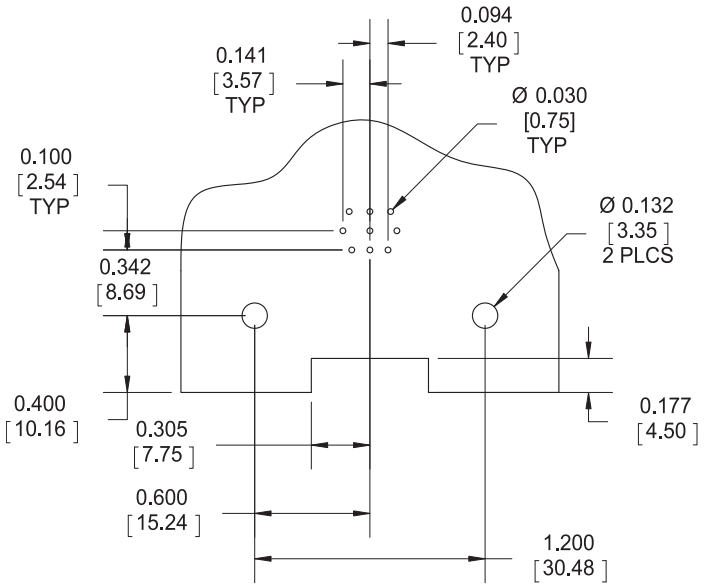
## Mounting Dimensions

### Right Angle Daughter Board Application

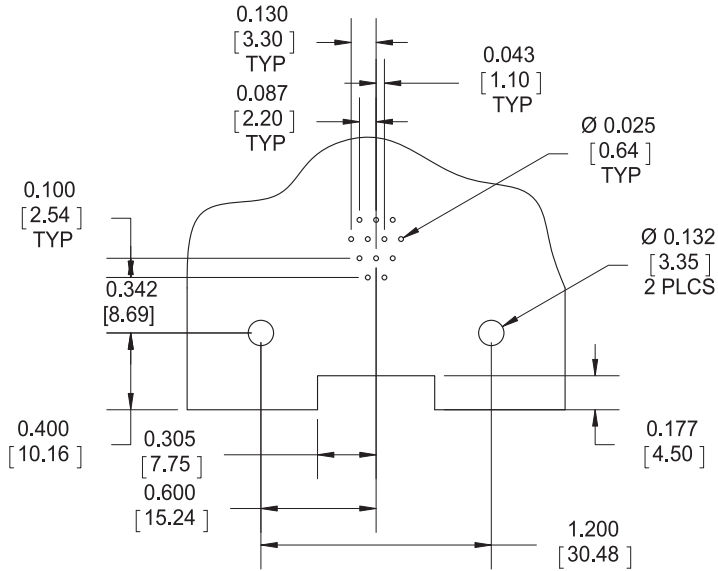
Printed Circuit Board Shown From Component Side



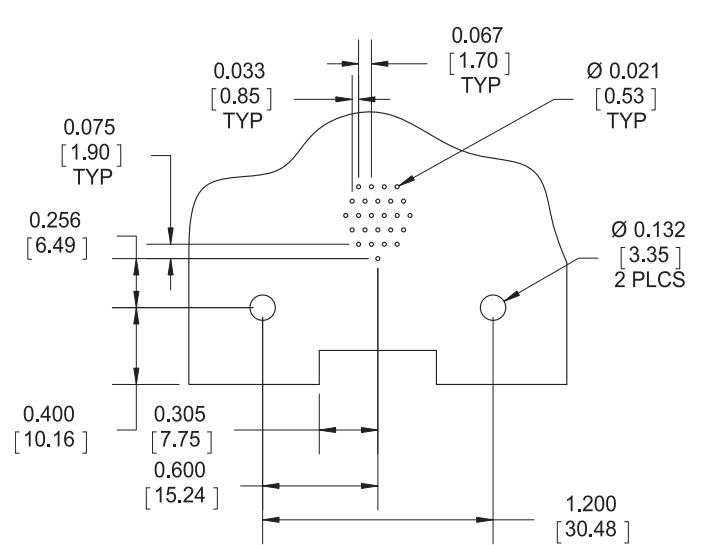
**Printed Circuit Board Layout for  
D02EEB706FB24UTABH**



**Printed Circuit Board Layout for  
D02EEB906FB24UTABH**



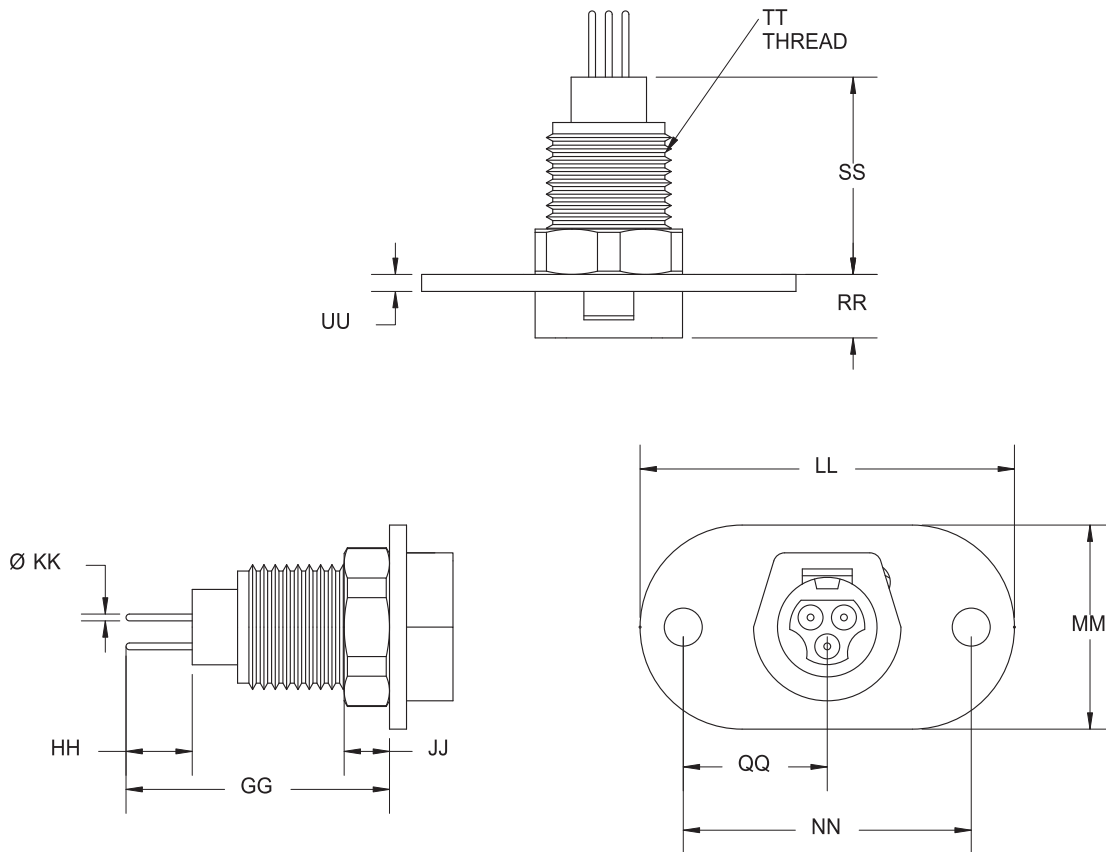
**Printed Circuit Board Layout for  
D02EEB125FB24UTABH**



**Printed Circuit Board Layout for  
D02EEB2504FB24UTABH**

Dimensions are in inches [mm]

## Printed Circuit Board Receptacles (Straight Dip Solder)



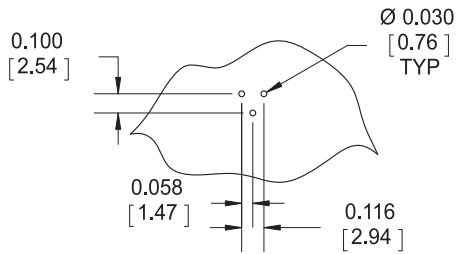
Dimension	D01 Housing 3 and 4 Position	D01 Housing 9 Position	D02 Housing 3 Position	D02 Housing 7 and 9 Position	D02 Housing 12 Position	D02 Housing 25 Position
GG	0.914 [23.23]	0.866 [22.00]	1.059 [26.91]	0.989 [25.12]	0.923 [23.45]	0.870 [22.10]
HH	0.229 [5.82]	0.181 [4.60]	0.193 [4.91]	0.221 [5.61]	0.233 [5.94]	0.260 [4.60]
JJ	0.157 [4.00]	0.157 [4.00]	0.157 [4.00]	0.157 [4.00]	0.157 [4.00]	0.157 [4.00]
KK	0.023 [0.58]	0.015 [0.38]	0.039 [1.00]	0.023 [0.58]	0.017 [0.43]	0.015 [0.38]
LL	1.300 [33.02]	1.300 [33.02]	1.500 [38.10]	1.500 [38.10]	1.500 [38.10]	1.500 [38.10]
MM	0.709 [18.00]	0.709 [18.00]	0.866 [22.00]	0.866 [22.00]	0.866 [22.00]	0.866 [22.00]
NN	1.000 [25.40]	1.000 [25.40]	1.200 [30.48]	1.200 [30.48]	1.200 [30.48]	1.200 [30.48]
QQ	0.500 [12.70]	0.500 [12.70]	0.600 [15.24]	0.600 [15.24]	0.600 [15.24]	0.600 [15.24]
RR	0.220 [5.60]	0.220 [5.60]	0.335 [8.50]	0.335 [8.50]	0.335 [8.50]	0.335 [8.50]
SS	0.685 [17.40]	0.685 [17.40]	0.866 [22.00]	0.768 [19.50]	0.689 [17.50]	0.689 [17.50]
TT	M11 x 1.00 Thd.	M11 x 1.00 Thd.	M15 x 1.00 Thd.	M15 x 1.00 Thd.	M15 x 1.00 Thd.	M15 x 1.00 Thd.
UU	0.059 [1.50]	0.059 [1.50]	0.059 [1.50]	0.059 [1.50]	0.059 [1.50]	0.059 [1.50]

Dimensions are in inches [mm]

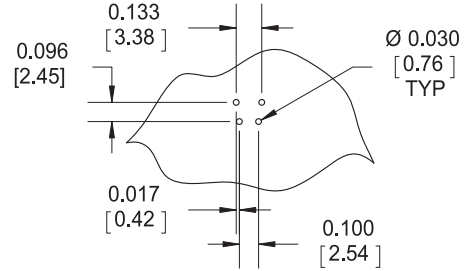
## Mounting Dimensions

### Straight Contact Printed Circuit Board Application

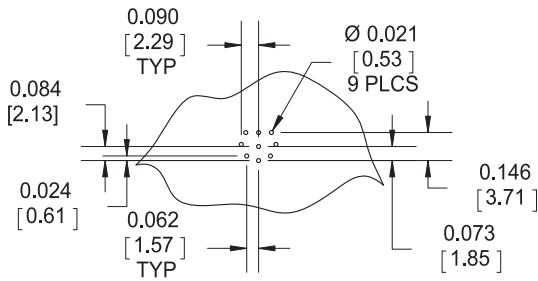
Printed Circuit Board Shown From Component Side



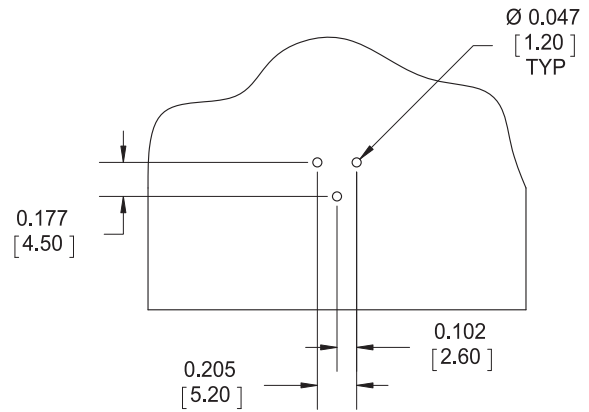
**Printed Circuit Board Layout for  
D01EEB306FD21UTABH**



**Printed Circuit Board Layout for  
D01EEB406FD21UTABH**



**Printed Circuit Board Layout for  
D01EEB904FD21UTABH**

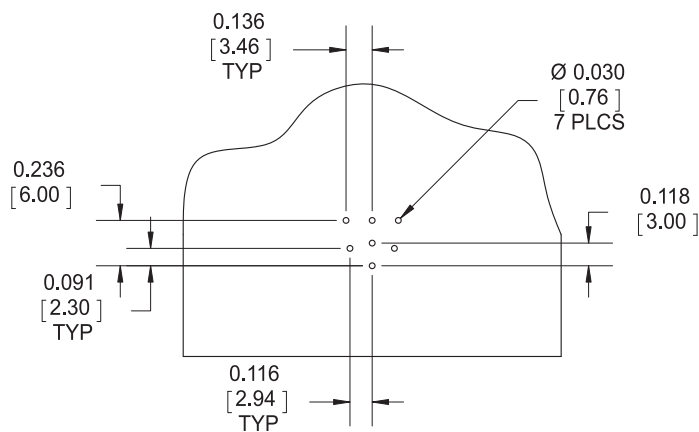


**Printed Circuit Board Layout for  
D02EEB315FD21UTABH**

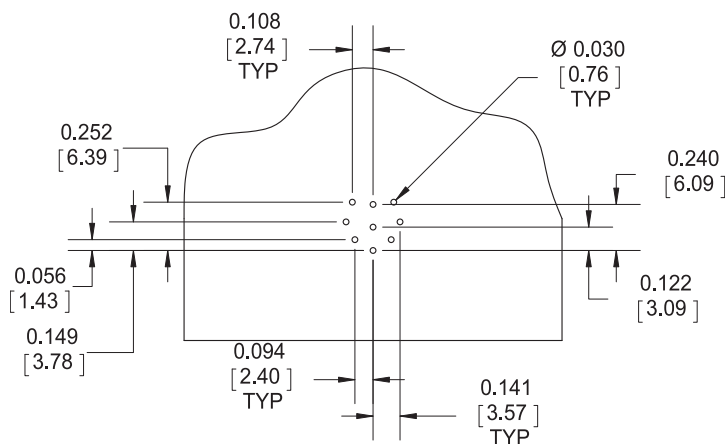
## Mounting Dimensions

### Straight Contact Printed Circuit Board Application

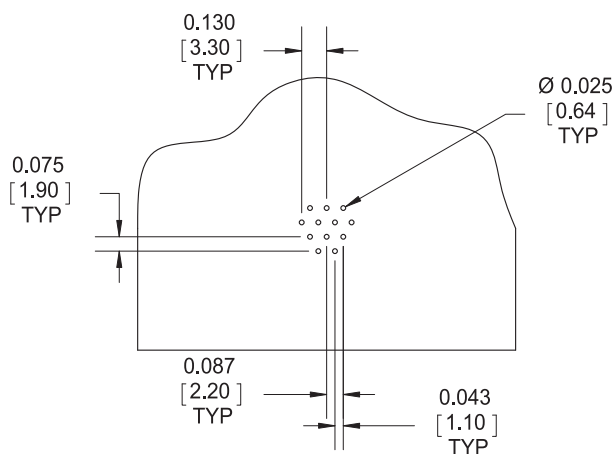
Printed Circuit Board Shown From Component Side



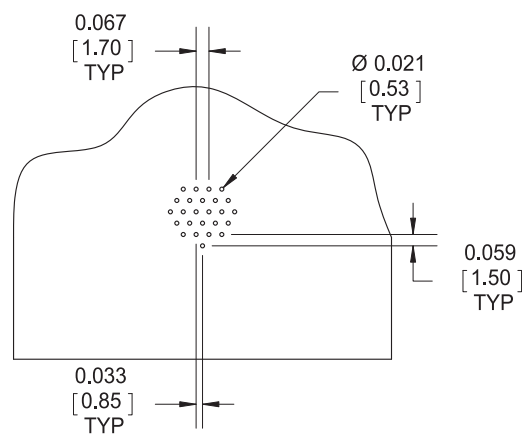
**Printed Circuit Board Layout for  
D02EEB706FD21UTABH**



**Printed Circuit Board Layout for  
D02EEB906FD21UTABH**



**Printed Circuit Board Layout for  
D02EEB125FD21UTABH**



**Printed Circuit Board Layout for  
D02EEB2504FD21UTABH**

Dimensions are in inches [mm]

## GLOBAL SALES OFFICES

### America

#### **Hypertronics Corporation**

16 Brent Drive  
Hudson, MA 0174, USA  
t: +1 (0) 978 5680451  
f: +1 (0) 978 5680680  
e: info@hypertronics.com

### Asia

#### **Hypertac China**

Unit F1, 7th Floor,  
East Ocean Center  
Phase II, No.618 Yan'An Road East  
Shanghai, China 200001  
t: +86 21 3318 4650  
f: +86 21 5385 5377  
e: infochina@hypertronics.com

#### **Hypertac India**

c/o John Crane Sealing Systems  
India Pvt. Ltd.  
No.11, 1<sup>st</sup> Phase Peenya  
Industrial Area,  
Bangalore-560058, India  
t: +91 80 2839 2200  
f: +91 80 2839 8205/06  
e: info@hypertac.fr

#### **Hypertac Japan**

Toward-senju No.1, 801, Senju 3-6,  
Adachi, Tokyo, Japan, 120-0034  
t: +81-3-3870-8205  
f: +81-3-3870-8264  
e: info.japan@hypertac.it

### Russia

#### **Hypertronics Corporation**

c/o John Crane Sealing Systems  
B.Afanasyevsky per., 41A  
Moscow 119019 Russia  
t / f: +78452 462149  
e: inforussia@hypertronics.com

### Europe

#### **Hypertac Limited**

36 Waterloo Road  
London NW2 7UH, UK  
t: +44 (0) 20 8450 8033  
f: +44 (0) 20 8208 4114  
e: info@hypertac.co.uk

#### **Hypertac SpA**

Via P.D. Da Bissone 7A,  
16153 Genova-Sestri P., Italy  
t: +39 0 10 60361  
f: +39 0 10 6036280  
e: info@hypertac.it

#### **Hypertac GmbH**

Ulrichsberger Straße 17,  
94469 Deggendorf, Germany  
t: +49 (0) 991 250120  
f: +49 (0) 991 2501244  
e: info@hypertac.de

#### **Hypertac S.A.**

31 rue Isidore Maille,  
76410 St. Aubin Lès Elbeuf, France  
t: +33 (0) 2 32969176  
f: +33 (0) 2 32969170  
e: info@hypertac.fr



FOR FURTHER INFORMATION VISIT [www.hypertronics.com](http://www.hypertronics.com)

Distributor