

High Density Modular Printed Circuit Board Connectors

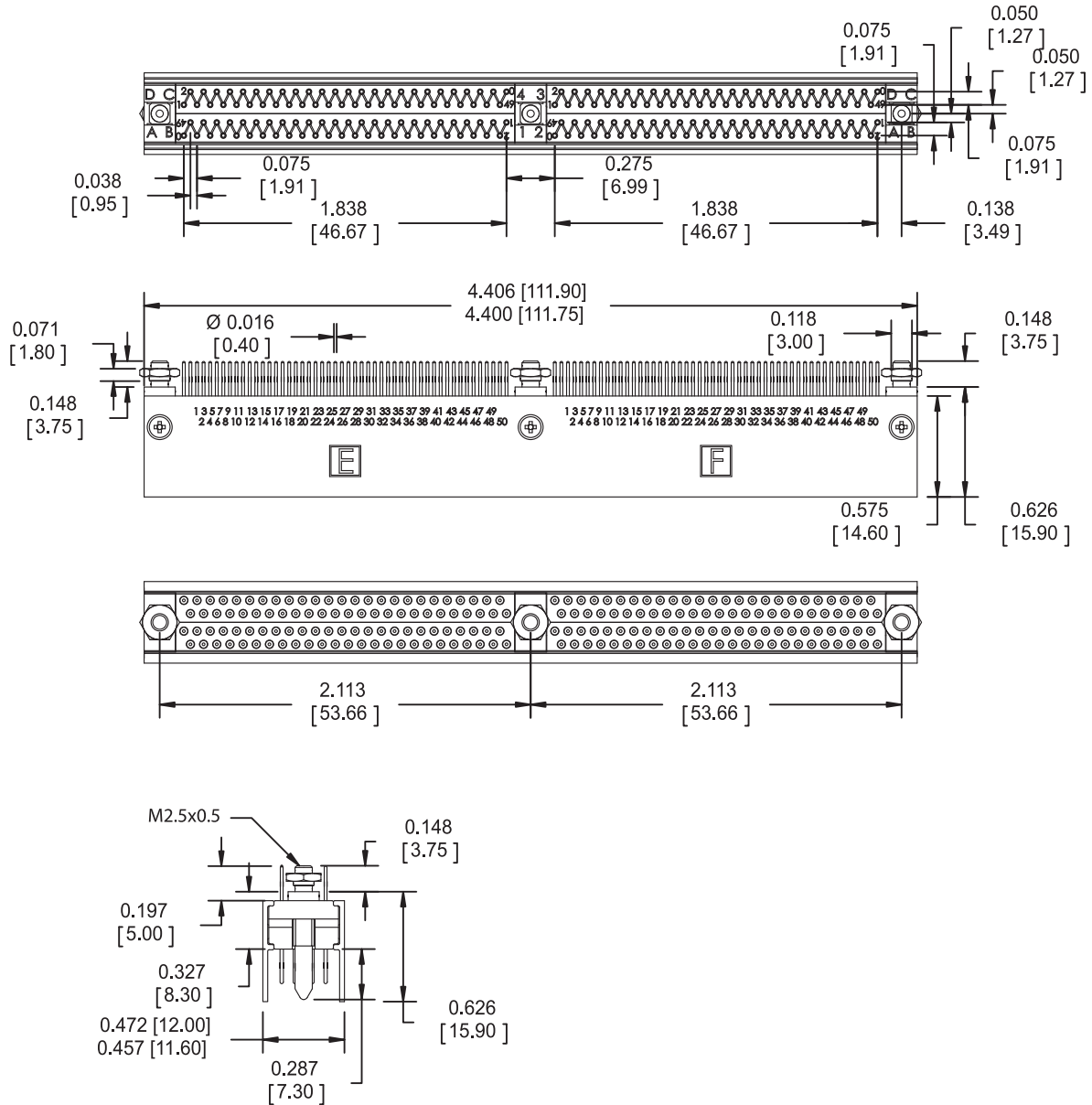
- For military, aerospace and space applications
- Ruggedized metal shell printed circuit board connector with shrouded plug for pin protection
- 200 signal contacts
- Male plug: Straight, 90° and surface mount terminations
- Female receptacle: Straight and 90° terminations
- Pitch:
 - On mating side
 - Receptacle and plug: 0.075 [1.91] between contacts and rows
 - On termination side
 - Receptacle: 0.075 [1.91] between contacts and rows; 0.100 [2.54] between the two central rows
 - Plug: 0.038 [0.95] between contacts; 0.075 [1.91] between rows; 0.100 [2.54] between the two central rows
- Mixed layout for signal and special contacts
- Modular construction

General Specifications	
Insulator Material	Diallyl-phthalate UL94V0
Frame Material	Aluminum alloy
Contact Material Plating	Copper alloy Gold over nickel
Guide Material	Stainless steel
Contact Resistance	< 8 milliohms
Temperature Rating	-55 to 125° C
Current Rating	3 Amps per contact
Insulation Resistance	> 10 ⁶ megohms
Contact Life Cycles	100,000
Extraction Forces	1.8 oz.
Voltage Rating	200V
Contact Diameter	0.50mm
Impedance	50Ω

Dimensions are in inches [mm]

200 Contact Plug Straight, Through Board Solder

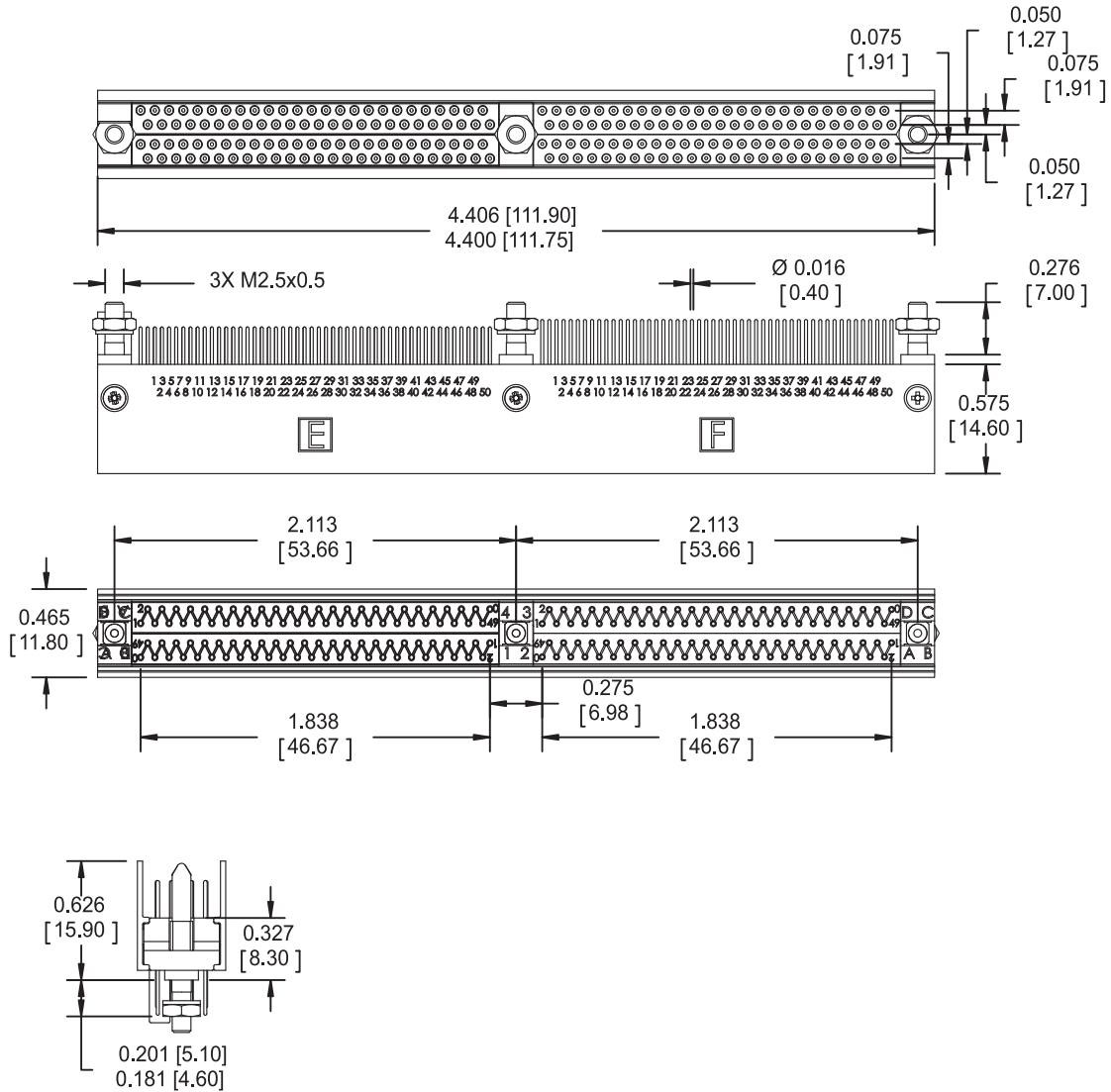
0.138 [3.50] to 0.157 [4.00] Pin



Dimensions are in inches [mm]

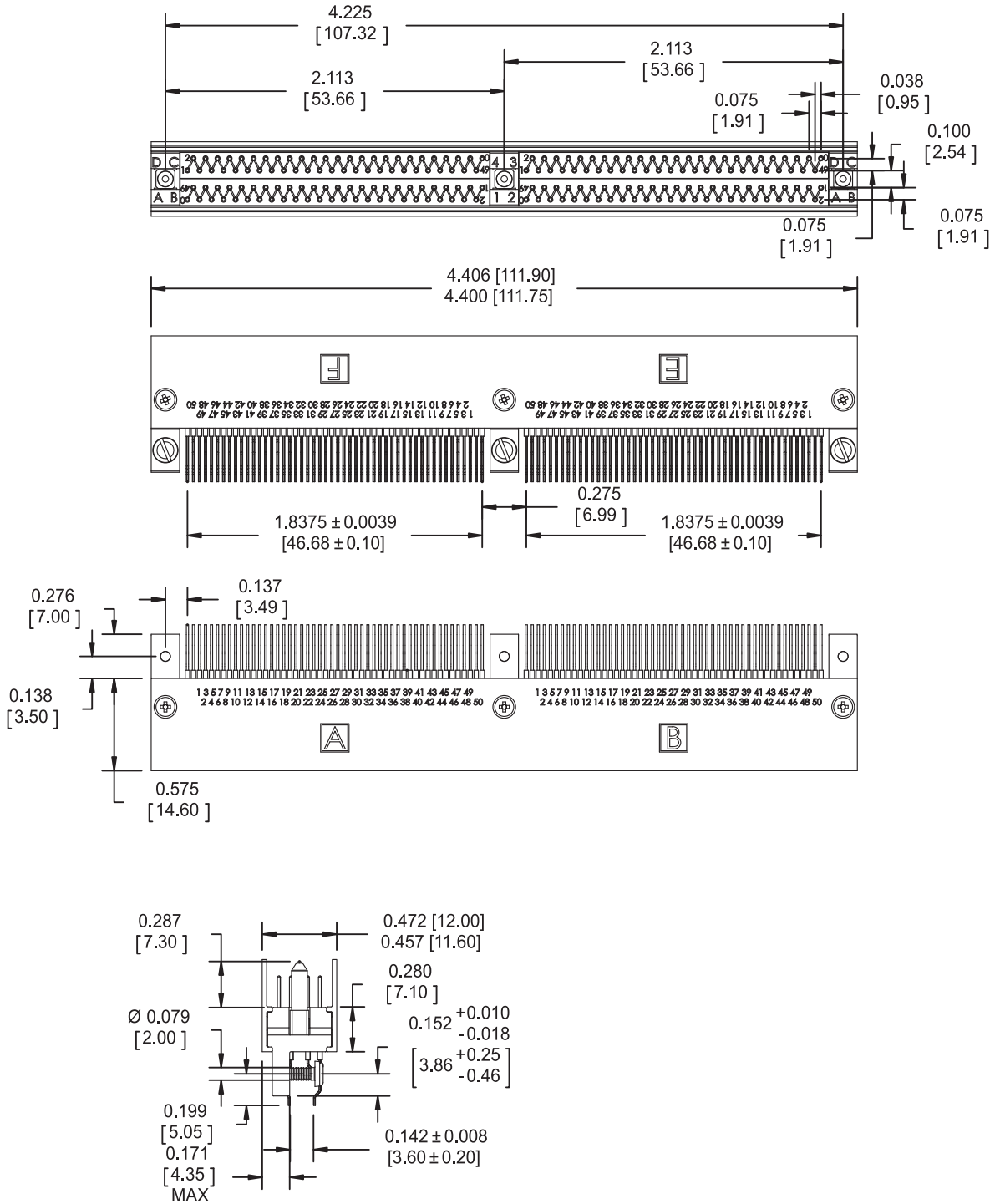
200 Contact Plug
Straight, Through Board Solder

0.181 [4.60] to 0.201 [5.10] Pin



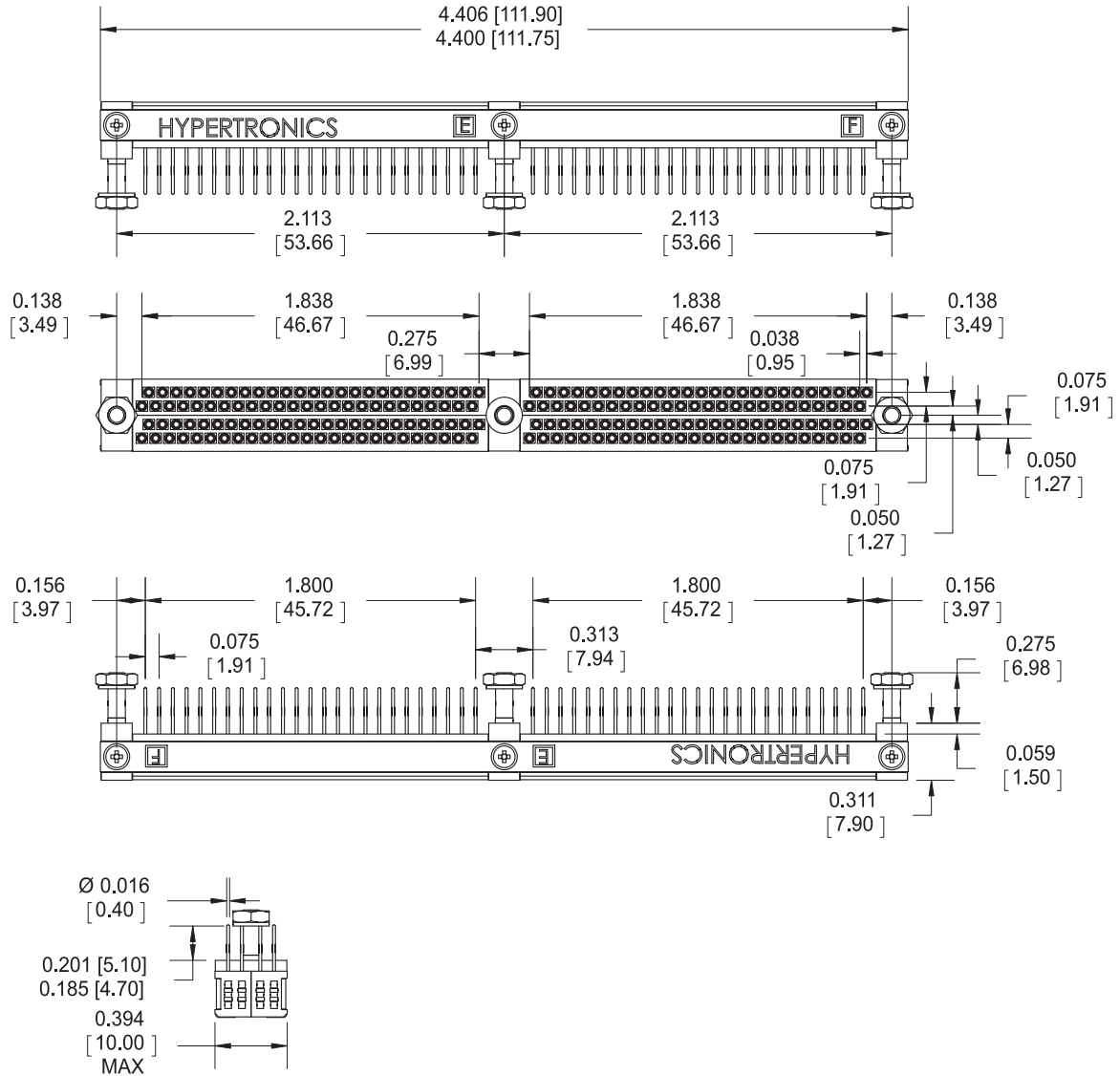
Dimensions are in inches [mm]

200 Contact Plug
Surface Mount (Centered Printed Circuit Board)



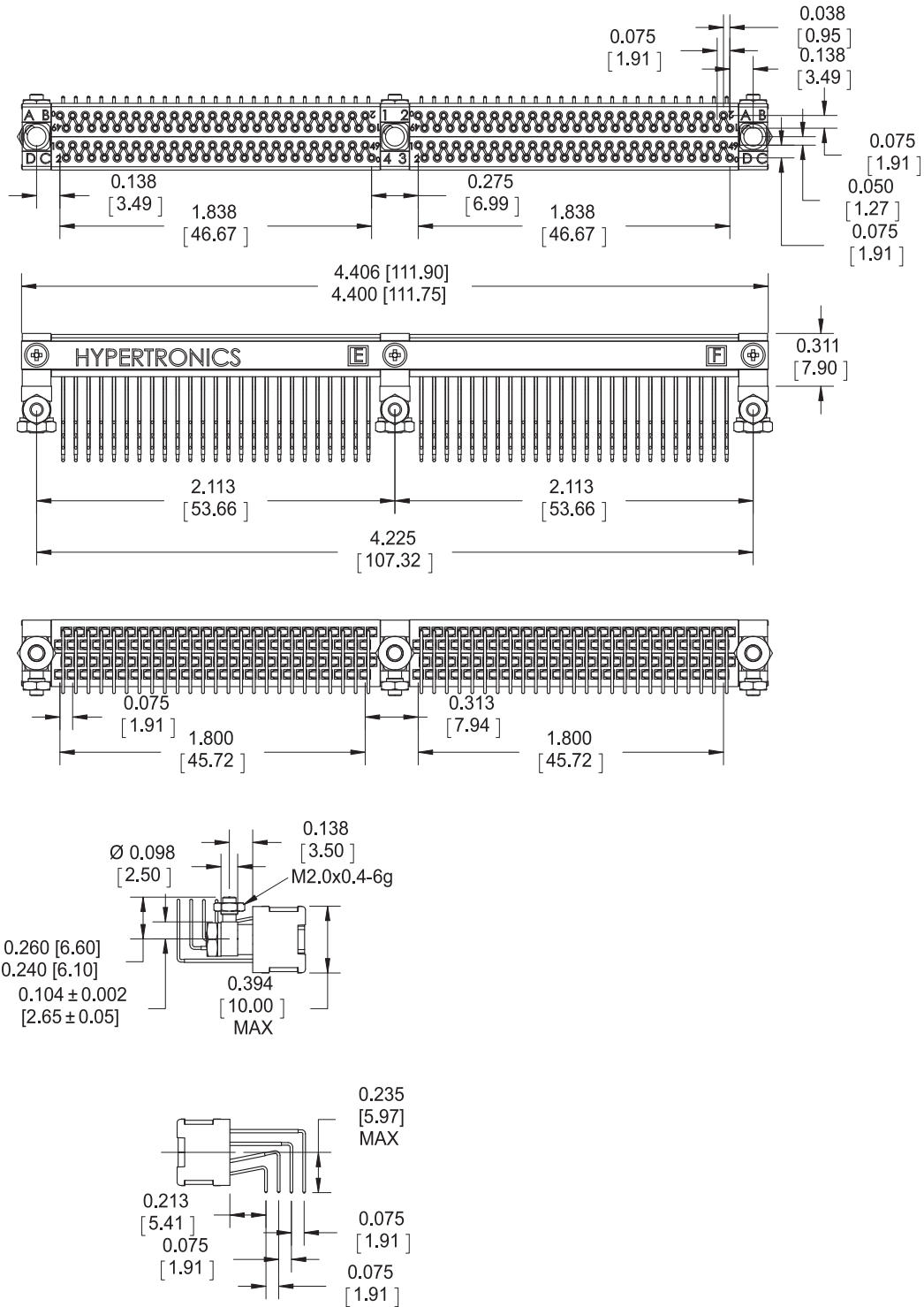
Dimensions are in inches [mm]

**200 Contact Receptacle
Straight, Through Board Solder**



Dimensions are in inches [mm]

**200 Contact Receptacle
90° Through Board Solder**



Dimensions are in inches [mm]

Ordering Information

Plugs	Part Number
200 Contacts Straight, Through Board Solder 0.138 [3.50] to 0.157 [4.00] Pin	KMR-200-19-30-116
200 Contacts Straight, Through Board Solder 0.181 [4.60] to 0.201 [5.10] Pin	KMR-200-19-31-114
200 Contacts Surface Mount	KMR-200-19-44-125

Receptacles	Part Number
200 Contacts Straight Through Board Solder	KMR-200-28-10-134
200 Contacts 90° Through Board Solder	KMR-200-28-96-122

Dimensions are in inches [mm]